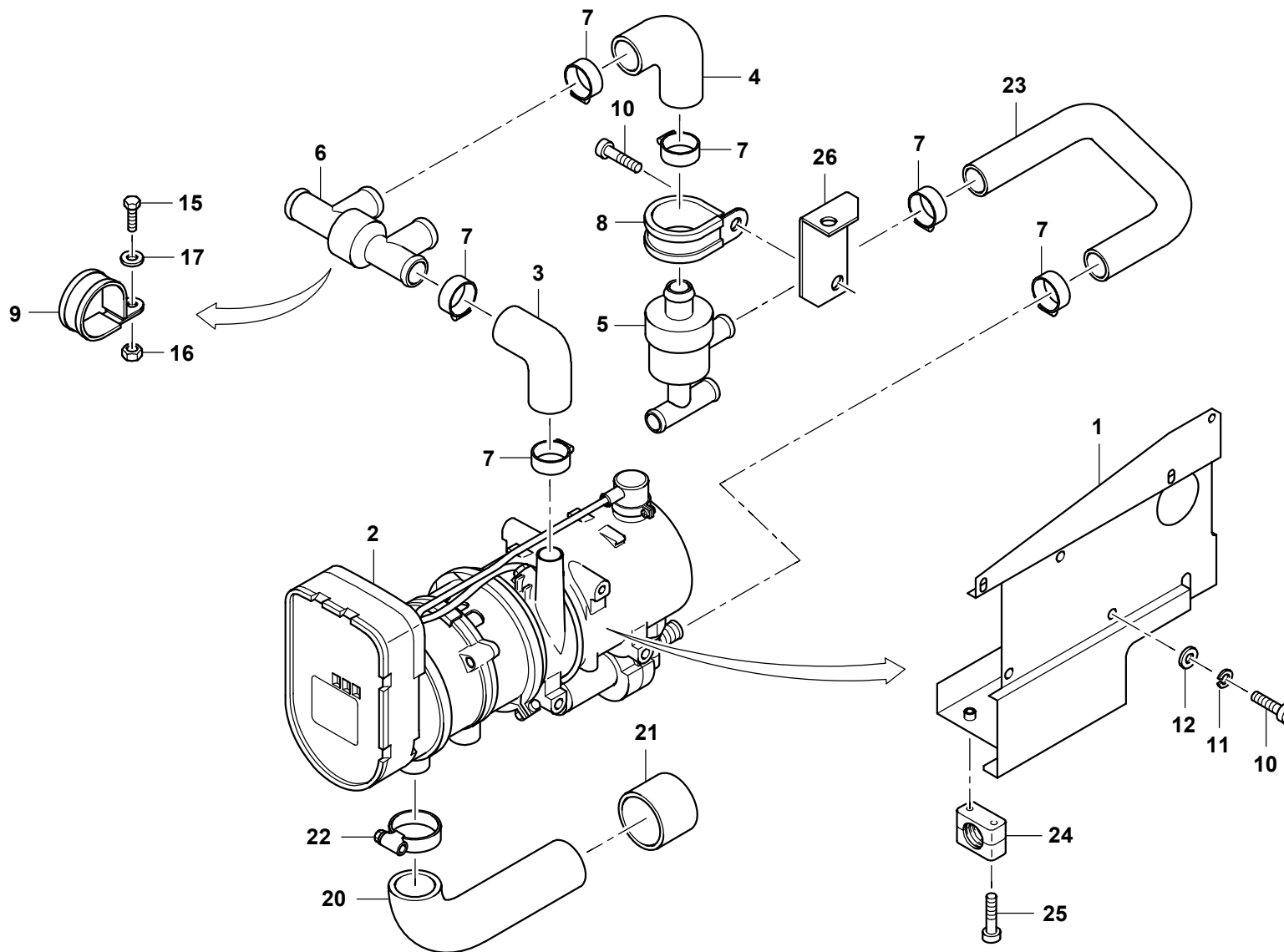


**GROVE**STANDHEIZUNG  
AUXILIARY HEATINGBILDTADEL  
PICTORIAL DISPLAY**GMK 6300**  
**BE 780**  
**G 000**

05.15

**3162854-ETL B**

1/1



3162854-B-BL01-0515-0000